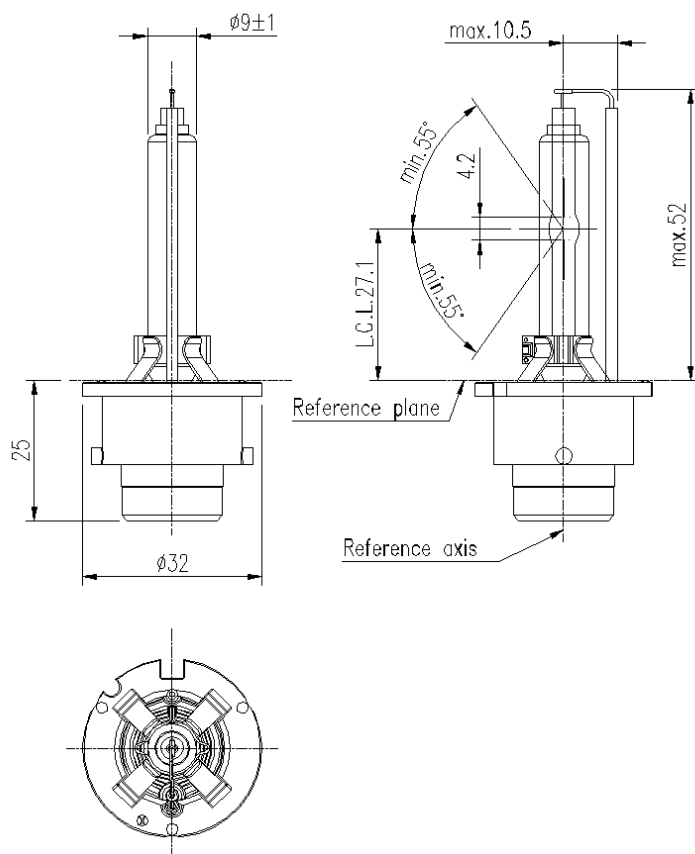


DISCHARGE HEADLIGHT LAMP WITH CLEAR OUTER BULB D2S 12V 35W

GE2010-4238 Category: D2S Cap: P 32d-2

1. Specification



Regulation / Standard

ECE R99
IEC 60061-1
IEC 60809
IEC 60810

Datasheet

D2S
7004-111-3
7110-1

Version

Rev 1
:2004
:2002

●critical to quality parameter
*To be checked by means of "box system"

Dimensions in mm.

2. Technical Data

Initial Parameters

Test Voltage:	13.5 V
Wattage:	35 W
Lamp Voltage:	68-102 V
Luminous Flux ●:	2750 – 3650 Lumens
Colour Coordinates:	$X \geq 0.345, Y \leq 0.150+0.640X,$ $X \leq 0.405, Y \geq 0.050+0.750X$
Colour Temperature:	4100k
Life	
Test Voltage:	13.5V
Life:	$B_3=1800$ Hours $T_c=3000$ Hours
Lumen Maintenance:	75% at 1500 Hours

Operating Requirements

Operating Position: Horizontal

DISCHARGE HEADLIGHT LAMP WITH CLEAR OUTER BULB D2S 12V 35W

GE2010-4238 Category: D2S Cap: P 32d-2

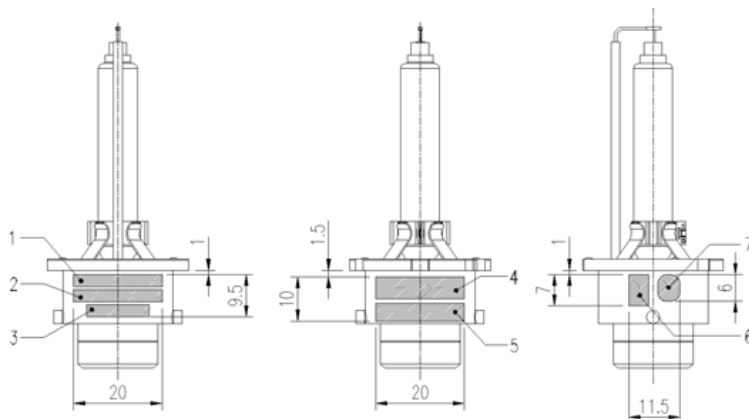
2. Technical Data continued

Monogramming:

- Field No. 1:** GE
- Field No. 2:** D2S 35W 53500
- Field No. 3:** HUNGARY R
- Field No. 4:** E1 06T DOT
- Field No. 5:** DATECODE - IDENTIFIER
- Field No. 6:** DUSTBIN
- Field No. 7:** Hg

- GE:** Mark
- D2s:** Category Number
- 35W:** Wattage
- 53500:** Type Number
- Hungary R:** Country Of Origin
- E1 06T:** E Mark
- Dot:** Dot Mark
- Datecode:** Date Code (YYMMDD)
- Identifier:** Individual Identification Number
- Dustbin:** Crossed Out Dustbin
- Hg:** Hg In Circle

Drawing of Monogram:



Dimensions in mm.

All other text of monogramming are different as per several specific SKUs.