

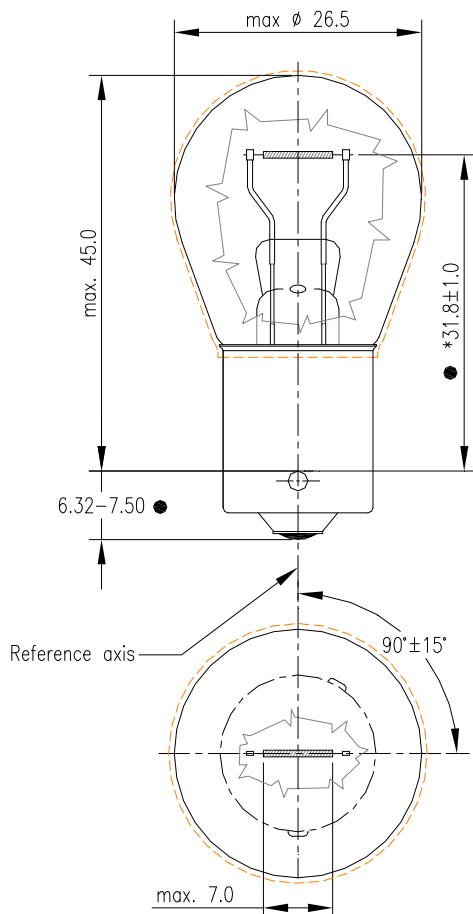
SINGLE FILAMENT STOP AND FLASHLIGHT LAMP AMBER PY21W 12V 21W

GE2005-9138

Category: PY21W

Cap: BAU15s

1. Specification



Regulation / Standard

ECE R37/ PY21W
IEC 60061-1 / 7004-19-2
IEC 60809 / 3311-1
IEC 60810
Directive 2000/53/EC (ELV directive)

● critical to quality parameter
* To be checked by means of "box system"

Dimensions in mm.

2. Technical Data

Initial Parameters

Test Voltage: 13.5 V
Wattage ●: 23.5 W - 26.5 W
Luminous Flux ●: 224 - 336 Lumens

Life

Test Voltage: 13.5V
Test Cycle: 90/min flashing
Life: B₃=890 Hours, T_c=1590 Hours
Lumen Maintenance: 80% at 375 Hours

Operating Requirements

Maximum Bulb Temperature: 220 °C
Operating Position: Horizontal

SINGLE FILAMENT STOP AND FLASHLIGHT LAMP AMBER PY21W 12V 21W

GE2005-9138

Category: PY21W

Cap: BAU15s

2. Technical Data continued

Monogramming:

GE 1056F Dt G HUNGARY 12V PY21W E1 2FH

GE: Mark
1057 F: Type
Dt: Date (Day/Month/Year)
G: Product Line & Shift Code
Hungary: Country of Origin
12V: Nominal Voltage
P21W: Category (Wattage)
E1: Identification of "E" Mark Approval
2FH: Approval Code

Stamping text:

GE 1056F
Dt G
HUNGARY

12V PY21W
E1 2FH

Place of stamping:

On superficie of cap

All other text of monogramming are different as per several specific SKUs.