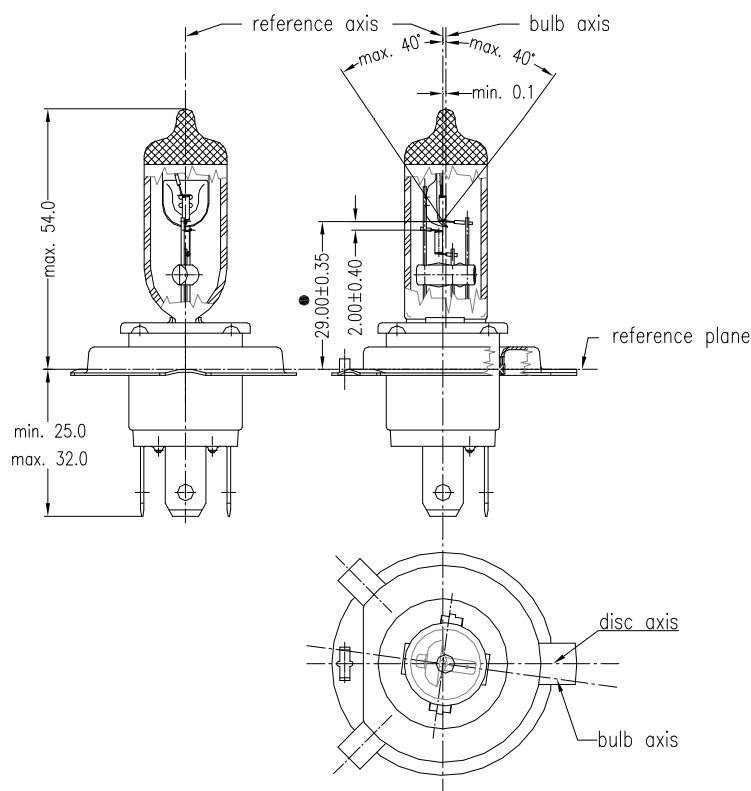


DOUBLE FILAMENT HALOGEN HEADLIGHT LAMP ASYMMETRIC, HARDGLASS H4 24V 75/70W CLEAR

GE0157-7217 Category:H4 Cap: P43t-38

1. Specification



● critical to quality parameter

* To be checked by means of "box system"

Dimensions in mm.

Regulation / Standard

ECE R37
IEC 60061-1
IEC 60809
IEC 60810

Datasheet

H4
7004-39-6
2120-2

Version

Rev 7
:2004
:2002

Directive 2000/53/EC (ELV directive)

2. Technical Data

Initial Parameters

Test Voltage:	28.0 V
Wattage ●:	Max. 85 W / Max. 80 W
Luminous Flux ●:	1615 - 2185 Lumens / 1020 - 1380 Lumens

Life

Test Voltage:	28.0 V
Test Cycle:	High beam: 7h30min ON 45min OFF Low beam: 15h ON 45min OFF

Life: $B_3=180$ Hours, $T_c=500$ Hours

Lumen Maintenance: 85 / 85 % at 110 / 225 Hours

Operating Requirements

Maximum Pinch Temperature:	400 °C
Maximum Bulb Temperature:	650 °C
Operating Position:	Horizontal

DOUBLE FILAMENT HALOGEN HEADLIGHT LAMP ASYMMETRIC, HARDGLASS H4 24V 75/70W CLEAR

GE0157-7217 Category:H4 Cap: P43t-38

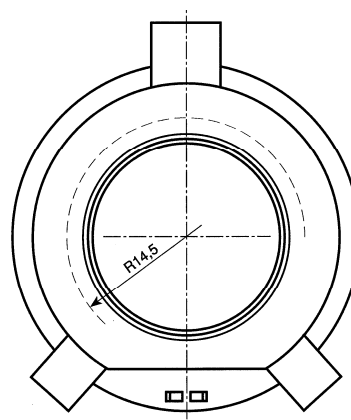
2. Technical Data continued

Monogramming:

GE H4 24V 75/70W 50450U E1 2D8 HUNGARY C

GE:	Mark
H4:	Category Number
24V:	Nominal Voltage
75/70W:	Wattage
50450U:	Type
E1:	Identification Of "E" Mark Approval
2D8:	Approval Code
Hungary:	Country Of Origin
C:	Quality

Drawing of Monogram from bottom of bulb:



On the superficie of cap:

Manufacturing date (year month day hour minute)

Individual number (9 digits)