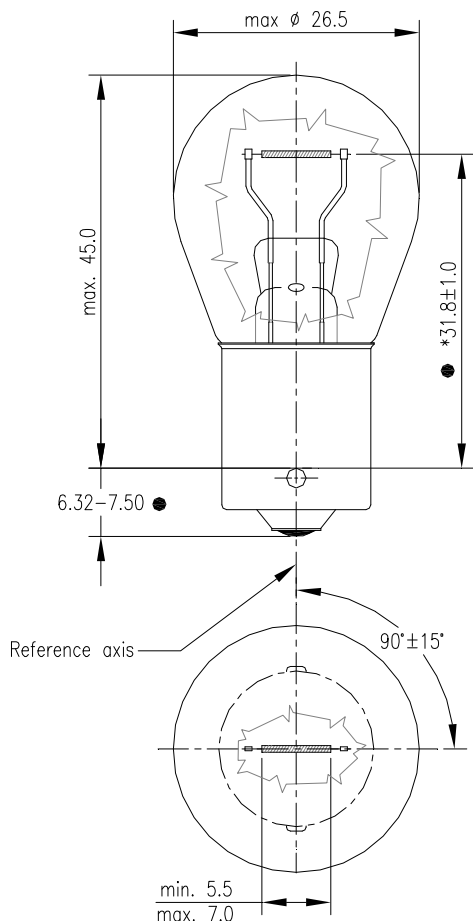


# SINGLE FILAMENT STOP AND FLASHLIGHT LAMP CLEAR P21W 12V 21W

GE2005-9139 Category: P21W Cap: BA15s

## 1. Specification



● critical to quality parameter  
\* To be checked by means of "box system"

Dimensions in mm.

### Regulation / Standard

ECE R37/ P21W  
IEC 60061-1 / 7004-11A-9  
IEC 60809 / 3110-2  
IEC 60810  
Directive 2000/53/EC (ELV directive)

### Initial Parameters

**Test Voltage:** 13.5 V  
**Wattage ●:** 23.5 W - 26.5 W  
**Luminous Flux ●:** 391 - 529 Lumens

### Life

<b>Test Voltage:</b>	13.5V	13.5V	13.5V
<b>Test Cycle:</b>	continuous	15s ON /15 OFF flashing	90/min flashing
<b>Life:</b>	B <sub>3</sub> =250 h, T <sub>c</sub> =480 h	B <sub>3</sub> =350 h, T <sub>c</sub> =740 h	B <sub>3</sub> =890 h, T <sub>c</sub> =1590 h
<b>Lumen Maintenance:</b>	80% at 110 Hours	80% at 300 Hours	80% at 375 Hours

### Operating Requirements

**Operating Position:** Horizontal

## SINGLE FILAMENT STOP AND FLASHLIGHT LAMP CLEAR P21W 12V 21W

GE2005-9139      Category: P21W    Cap: BA15s

### 2. Technical Data continued

**Monogramming:**

**GE 1057 F Dt G HUNGARY 12V P21W E1 2DX**

**GE:** Mark  
**1057 F:** Type  
**Dt:** Date (Day/Month/Year)  
**G:** Product Line & Shift Code  
**Hungary:** Country of Origin  
**12V:** Nominal Voltage  
**P21w:** Category (Wattage)  
**E1:** Identification of "E" Mark Approval  
**2DX:** Approval Code

**Stamping text:**

GE 1057 F  
Dt G  
HUNGARY

12V P21W  
E1 2DX

**Place of stamping:**

On superficie of cap

**All other text of monogramming are different as per several specific SKUs.**