

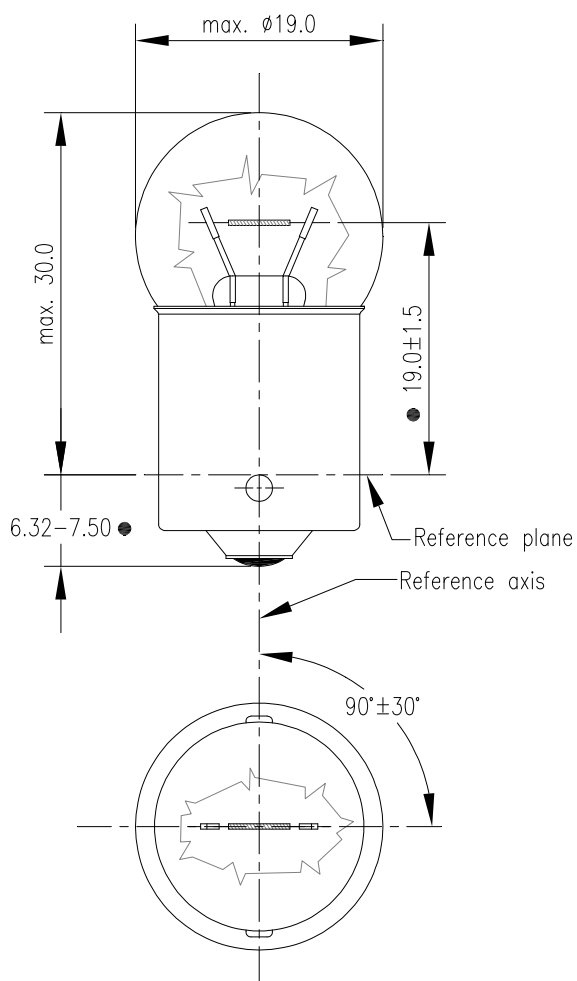
TAIL, PARKING, INDICATOR LAMP CLEAR R10W 12V 10W

GE2006-3096

Category: R10W

Cap: BA15s

1. Specification



Regulation / Standard

ECE R37/ R10W

IEC 60061-1 / 7004-11A-9

IEC 60809 / 3330-2

IEC 60810

Directive 2000/53/EC (ELV directive)

● critical to quality parameter

* To be checked by means of "box system"

Dimensions in mm.

2. Technical Data

Initial Parameters

Test Voltage:	13.5 V
Wattage ●:	9.0 - 11.0 W
Luminous Flux ●:	100 - 150 Lumens

Life

Test Voltage:	13.5V
Life:	$B_3=450$ Hours $T_c=960$ Hours
Lumen Maintenance:	80% at 150 Hours

Operating Requirements

Operating Position:	Horizontal
----------------------------	------------

TAIL, PARKING, INDICATOR LAMP CLEAR R10W 12V 10W

GE2006-3096

Category: R10W

Cap: BA15s

2. Technical Data continued

Monogramming:

GE 2641 F Dt G HUNGARY 12V R10W E1 2DV

GE:	Mark
2641 F:	Type
Dt:	Date (day/month/year)
G:	Product line & shift code
HUNGARY:	Country of origin
12V:	Nominal voltage
R10W:	Category (wattage)
E1:	Identification of "E" mark approval
2DV:	Approval code

Stamping text:

GE 2641 F
Dt G
HUNGARY

12V R10W
E1 2DV

Place of stamping:

On superficie of cap

All other text of monogramming are different as per several specific SKUs.