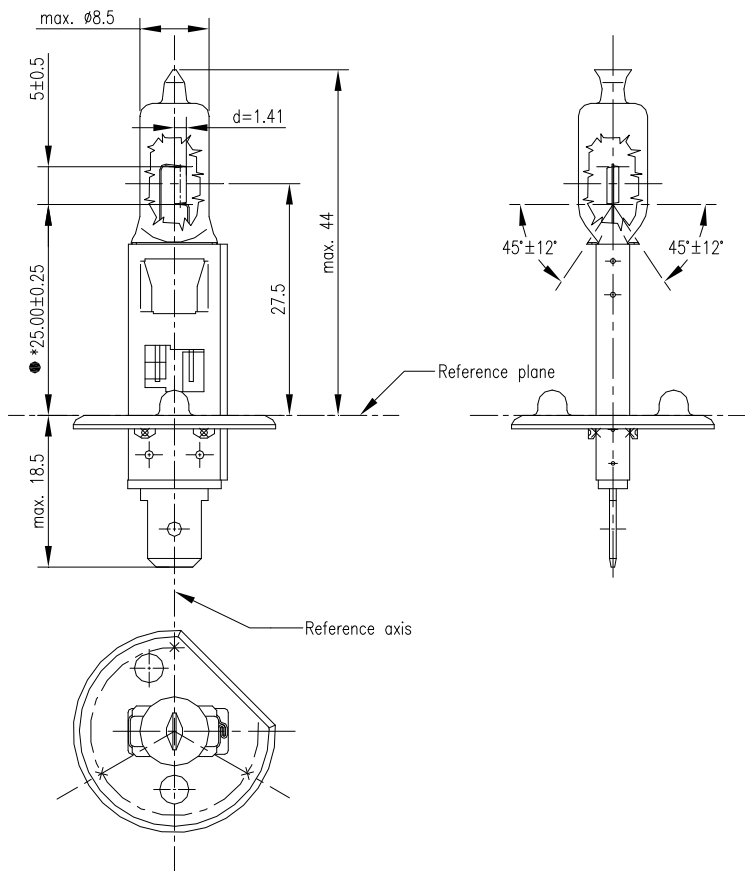


HALOGEN HEADLIGHT LAMP WITH AXIAL FILAMENT H1 12V 55W CLEAR

GE0153-1002 Category: H1 Cap: P14.5s

1. Specification



Regulation / Standard

Regulation / Standard	Datasheet	Version
ECE R37	H1	Rev 7
IEC 60061-1	7004-46-2	:2004
IEC 60809	2310-2	:2002
IEC 60810		
49CFR571.108 (FMVSS No 108)		October 1, 2006
NHTSA-98-3397	45	11/22/00
SAE J2560		JULY07

Directive 2000/53/EC (ELV directive)

● critical to quality parameter
* To be checked by means of "box system"

Dimensions in mm.

Initial Parameters

Test Voltage:	13.2 V	12.8 V
Wattage ●:	Max. 68 W	Max. 65 W
Luminous Flux ●:	1318 - 1782 Lumens	1200 - 1620 Lumens

Life

Test Voltage:	13.2V	14V
Life:	B ₃ =600 Hours, T _C =1200 Hours	B ₃ =300 Hours, B ₅₀ =560 Hours
Lumen Maintenance:	90% at 510 Hours	70% at 400 Hours

Operating Requirements

Maximum Pinch Temperature:	450 °C
Maximum Bulb Temperature:	800 °C
Operating Position:	Horizontal

HALOGEN HEADLIGHT LAMP WITH AXIAL FILAMENT H1 12V 55W CLEAR

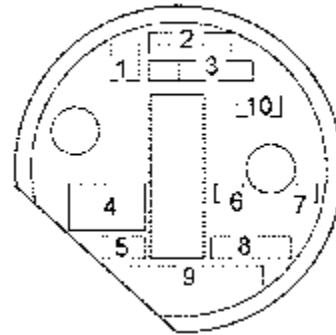
GE0153-1002 Category: H1 Cap: P14.5s

2. Technical Data continued

Monogramming:

Field No. 1: GE
Field No. 2: 50310/1U
Field No. 3: H1 12V 55W
Field No. 4: E1 22J
Field No. 5:
Field No. 6: Dt(week)
Field No. 7: Dt(year)
Field No. 8: Individual number
Field No. 9: Hungary
Field No. 10: DOT

Drawing of Monogram from bottom of bulb:



GE: Mark
50310/1U: Type
H1: Category Number
12V: Nominal Voltage
55W: Wattage
E1: Identification of "E" Mark Approval
22J: Approval Code
Dt: Manufacturing Date (Week, Year)
xxxxxxxx: Individual Number
Hungary: Country Of Origin
Dot: Dot Approval

All other text of monogramming are different as per several specific SKUs.