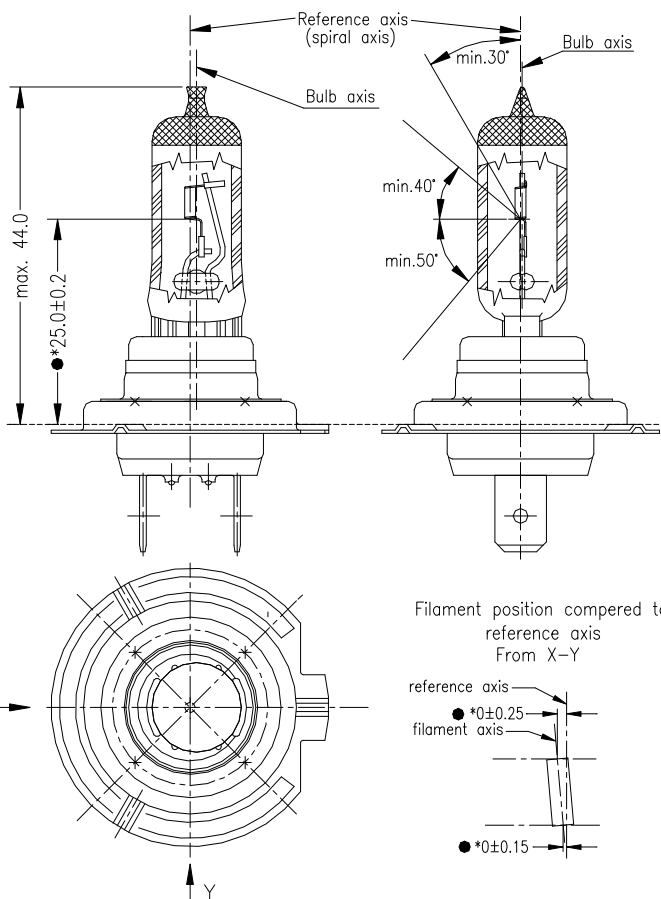


# HALOGEN HEADLIGHT LAMP WITH AXIAL FILAMENT H7 12V 55W CLEAR

GE0150-0652      Category: H7      Cap: PX 26d

## 1. Specification



### Regulation / Standard

ECE R37  
IEC 60061-1  
IEC 60809  
IEC 60810  
49CFR571.108 (FMVSS No 108)  
NHTSA-98-3397 43  
SAE J2560

### Datasheet

H7  
7004-5-6  
2315-1

### Version

Rev 7  
:2004  
:2002  
October 1, 2006  
11/22/00  
JULY07

Directive 2000/53/EC (ELV directive)

●critical to quality parameter  
\* To be checked by means of "box system"

Dimensions in mm.

## 2. Technical Data

### Initial Parameters

<b>Test Voltage:</b>	13.2 V	12.8 V
<b>Wattage ●:</b>	Max. 58 W	Max. 55.6 W
<b>Luminous Flux ●:</b>	1350 - 1650 Lumens	1188 - 1512 Lumens

### Life

<b>Test Voltage:</b>	13.2V	14V
<b>Life:</b>	B <sub>3</sub> =450 Hours, T <sub>C</sub> =930 Hours	B <sub>3</sub> =250 Hours, B <sub>50</sub> =480 Hours
<b>Lumen Maintenance:</b>	90% at 225 Hours	70% at 340 Hours

### Operating Requirements

<b>Maximum Pinch Temperature:</b>	450 °C
<b>Maximum Bulb Temperature:</b>	800 °C
<b>Operating Position:</b>	Horizontal

# HALOGEN HEADLIGHT LAMP WITH AXIAL FILAMENT H7 12V 55W CLEAR

GE0150-0652      Category: H7      Cap: PX 26d

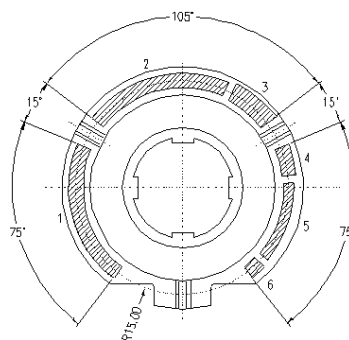
## 2. Technical Data continued

**Monogramming:**

- Field No. 1:** GE H7 E1 23P
- Field No. 2:** 12V 55W 58520U
- Field No. 3:** HUNGARY
- Field No. 4:** C DOT
- Field No. 5:**
- Field No. 6:**

- GE:** Mark
- H7:** Category number
- E1:** Identification of "E" mark approval
- 23P:** Approval code
- 12V:** Nominal voltage
- 55W:** Wattage
- 58520U:** Type
- Hungary:** Country of origin
- C:** Quality
- Dot:** Dot Approval

**Drawing of Monogram from bottom of bulb:**



**1st line**

1Fyymmdd ,letter'  
hhmss  
1st measuring machine  
hhmss  
1Myymmdd

**2nd line**

2Fyymmdd ,letter'  
hhmss  
2nd measuring machine  
hhmss  
2Myymmdd

**3rd line**

3Fyymmdd ,letter'  
hhmss  
3rd measuring machine  
hhmss  
3Myymmdd

**Upper part:** Measuring data - M means measuring machine

**Lower part:** End of line measuring data - F means focusing machine

**All other text of monogramming are different as per several specific SKUs.**