

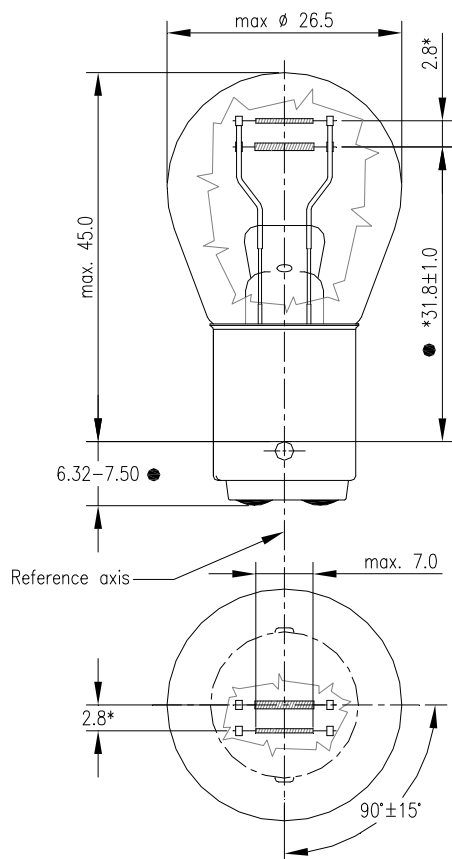
DOUBLE FILAMENT STOP AND TAIL LIGHT LAMP CLEAR P21/5W 12V 21/5W

GE2005-9141

Category:P21/5W

Cap: BAY15d

1. Specification



●critical to quality parameter
*To be checked by means of "box system"

Dimensions in mm.

Regulation / Standard

ECE R37/ P21/5W
IEC 60061-1 / 7004-11B-7
IEC 60809 / 3110-2
IEC 60810
Directive 2000/53/EC (ELV directive)

2. Technical Data

Initial Parameters

Test Voltage:	13.5 V
Wattage ●:	23.5 W - 26.5 W / 5.4 W - 6.6 W
Luminous Flux ●:	374 - 506 Lumens / 28 - 42 Lumens

Life

Test Voltage:	13.5V	13.5V
Test Cycle:	MAJOR: continuous MINOR: continuous	MAJOR: 15s ON /15 OFF flashing +MINOR: continuous
Life:	B ₃ =250 Hours, T _C =480 Hours B ₃ =1000 Hours, T _C =2000 Hours	B ₃ =490 Hours, T _C =960 Hours
Lumen Maintenance:	80 / 80% at 110 / 750 Hours	80 / 70% at 110 / 750 Hours

Operating Requirements

Operating Position: Horizontal

DOUBLE FILAMENT STOP AND TAIL LIGHT LAMP CLEAR P21/5W 12V 21/5W

GE2005-9141

Category:P21/5W

Cap: BAY15d

2. Technical Data continued

Monogramming:

GE 1077 F Dt G HUNGARY 12V P21/5W E1 2DY

GE: Mark
1077 F: Type
Dt: Date (Day/Month/Year)
G: Product Line & Shift Code
Hungary: Country of Origin
12V: Nominal Voltage
P21/5W: Category (Wattage)
E1: Identification of "E" Mark Approval
2DY: Approval Code

Stamping text:

GE 1077 F
Dt G
HUNGARY
12V P21/5W
E1 2DY

Place of stamping:

On superficie of cap

All other text of monogramming are different as per several specific SKUs.