

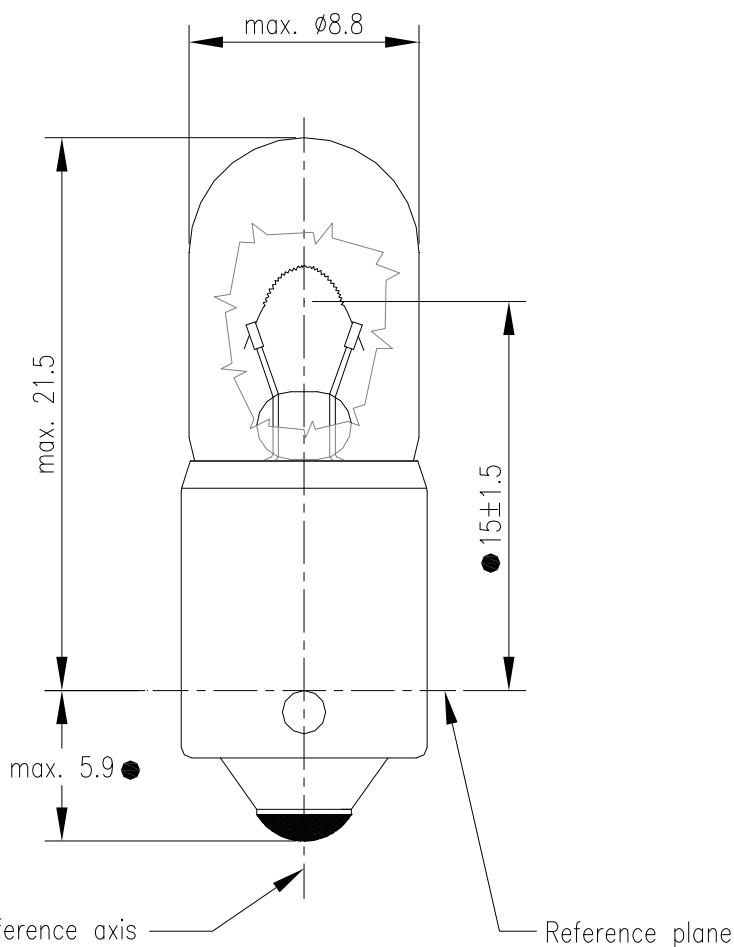
## MINIATURE BUTT SEAL LAMP CLEAR T4W 12V 4W

GE2005-9185

Category: T4W

Cap: BA9s

### 1. Specification



● critical to quality parameter  
\* To be checked by means of "box system"

Dimensions in mm.

### Regulation / Standard

ECE R37 / T4W

IEC 60061-1 / 7004-14-9

IEC 60809 / 3340-2

IEC 60810

Directive 2000/53/EC (ELV directive)

### 2. Technical Data

#### Initial Parameters

<b>Test Voltage:</b>	13.5 V
<b>Wattage ●:</b>	3.6 - 4.4 W
<b>Luminous Flux ●:</b>	28 - 42 Lumens

#### Life

<b>Test Voltage:</b>	13.5V
<b>Life:</b>	B <sub>3</sub> =300 Hours T <sub>c</sub> =750 Hours
<b>Lumen Maintenance:</b>	70% at 225 Hours

#### Operating Requirements

<b>Operating Position:</b>	Horizontal
----------------------------	------------

## MINIATURE BUTT SEAL LAMP CLEAR T4W 12V 4W

GE2005-9185      Category: T4W      Cap: BA9s

### 2. Technical Data continued

**Monogramming:**

**GE 2662F 12V T4W E1 2EA HUNGARY Dt**

<b>GE:</b>	Mark
<b>2662F:</b>	Type
<b>12V:</b>	Nominal voltage
<b>T4W:</b>	Category (wattage)
<b>E1:</b>	Identification of "E" mark approval
<b>2EA:</b>	Approval code
<b>HUNGARY:</b>	Country of origin
<b>Dt:</b>	Date (ww/y)

**Stamping text:**

GE 2662F  
12V  
T4W

E1 2EA  
HUNGARY  
Dt

**Place of stamping:**

On superficie of cap

**All other text of monogramming are different as per several specific SKUs.**